



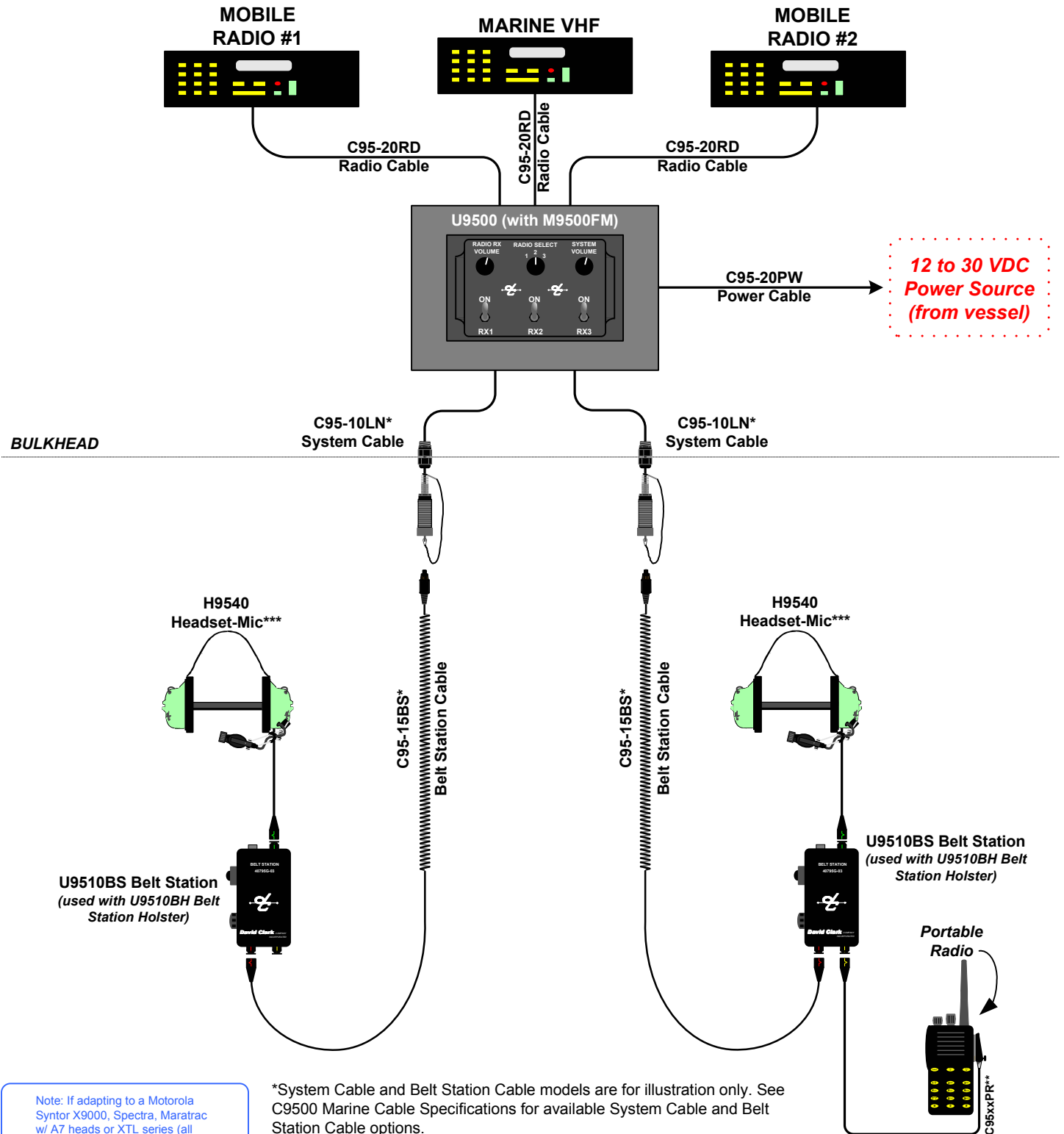
Series 9500 Marine Intercom

Sample System Configuration - 2 Position

Recommended Accessory:



40688G-08 Headset Carry Case



**12 to 30 VDC
Power Source
(from vessel)**

BULKHEAD

Note: If adapting to a Motorola Syntor X9000, Spectra, Maratrac w/ A7 heads or XTL series (all except -05 heads), add the following:

40107G-01	System Adapter	1 each
09227P-81	5-pin DIN Connector	1 each

*System Cable and Belt Station Cable models are for illustration only. See C9500 Marine Cable Specifications for available System Cable and Belt Station Cable options.

** See C9500 Marine Cable Specifications for available portable radio cable options.

*** See Series 9500 Marine Headset Specifications for available headset options.

C95xxPR*