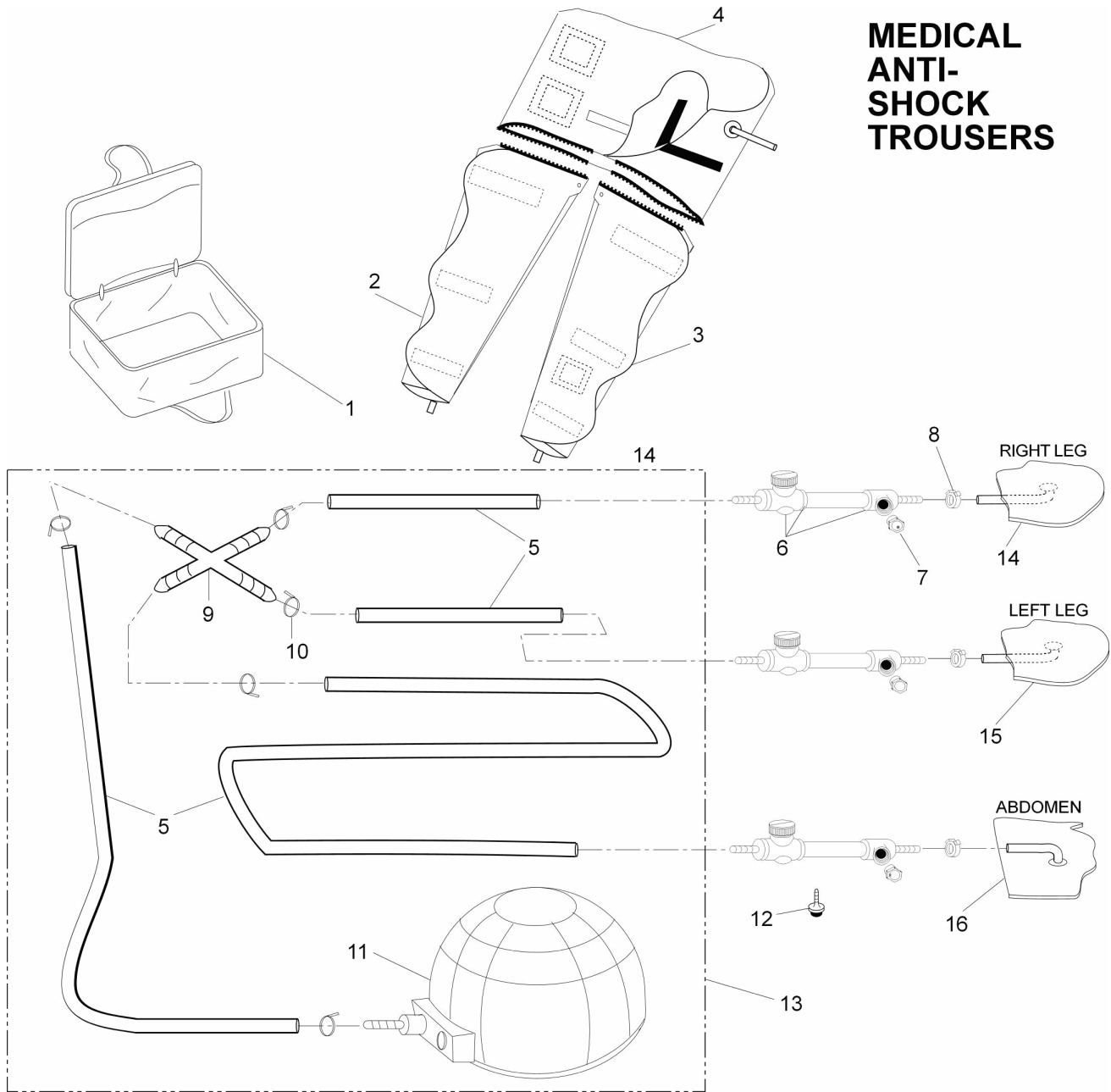


David Clark COMPANY
INCORPORATED

360 Franklin Street, Box 15054, Worcester, MA 01615-0054
TEL.: (508) 751-5800 E-Mail: sales@DavidClark.com FAX: (508) 753-5827

PARTS LIST
PEDI-MAST III-AM

MEDICAL
ANTI-
SHOCK
TROUSERS



No.	Description	Part No.
1	Carrying Case	14466P-01
2	Right Leg Restraint (Pedi)	18801G-02FMOOR
3	Left Leg Restraint (Pedi)	18801G-02FMOOL
4	Abdominal Restraint (Pedi)	18800G-02FMOOO
5	Neoprene Tubing (5 ft length)	09386P-34
6	Valve Housing Assembly	18193G-01
7	Relief Valve w/Protective Cap	18459G-01
8	Hose Clamp, removable (10/pk)	24786P-08

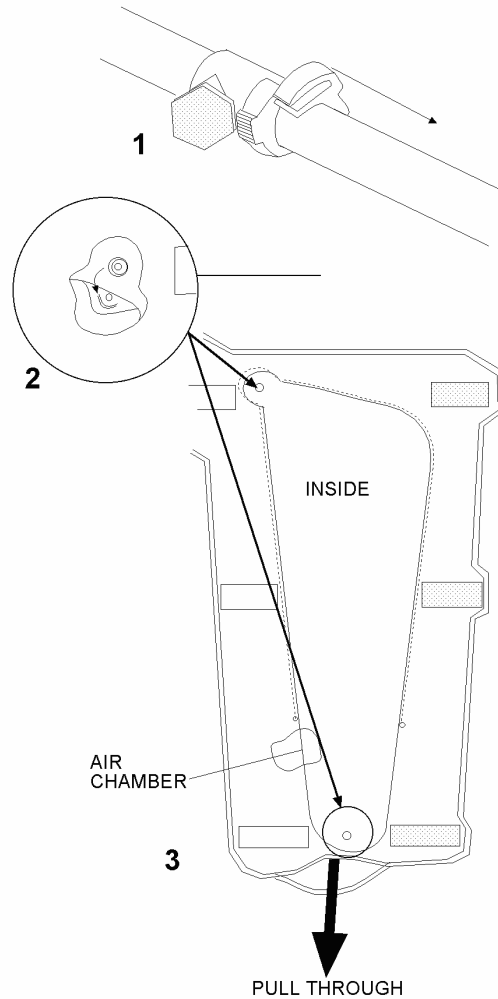
No.	Description	Part No.
9	"X" Fitting	14796P-01
10	Tubing Clamp (10/pk)	24786P-06
11	Foot Pump Assy w/Valves	18192G-01
12	Pressure Gage Adapter Kit (3/pk)	18396G-01
13	Inflation Assy (includes 3,4,5,12)	12696G-05
14	Right Leg Air Chamber (Pedi)	18342G-05HAOOR
15	Left Leg Air Chamber (Pedi)	18342G-05HAOOL
16	Abdominal Air Chamber (Pedi)	18341G-07HAOOO

PEDI-MAST III-AM

PEDI-MAST® III-A Air Chamber Removal and Installation Procedure

To Remove:

1. Remove white clamp holding air chamber hose to valve assembly by twisting jaws in opposite directions. Remove valve assembly. See illustration No. 1.
2. Disconnect air chamber locator snaps: (2) in each leg – (8) in abdomen. See illustration No. 2.
3. Remove air chamber by pulling it through restraint access opening. See illustration No. 3.



To Install:

1. Put air chamber through restraint access opening and align.
2. Put air chamber hose through hole and connect locator snaps.
3. Connect air chamber hose to valve assembly and install white clamp. See illustration No. 4. Keep clamp flush with side of valve assembly.
4. Press jaws firmly together with fingers or pliers. See illustration No. 5.

