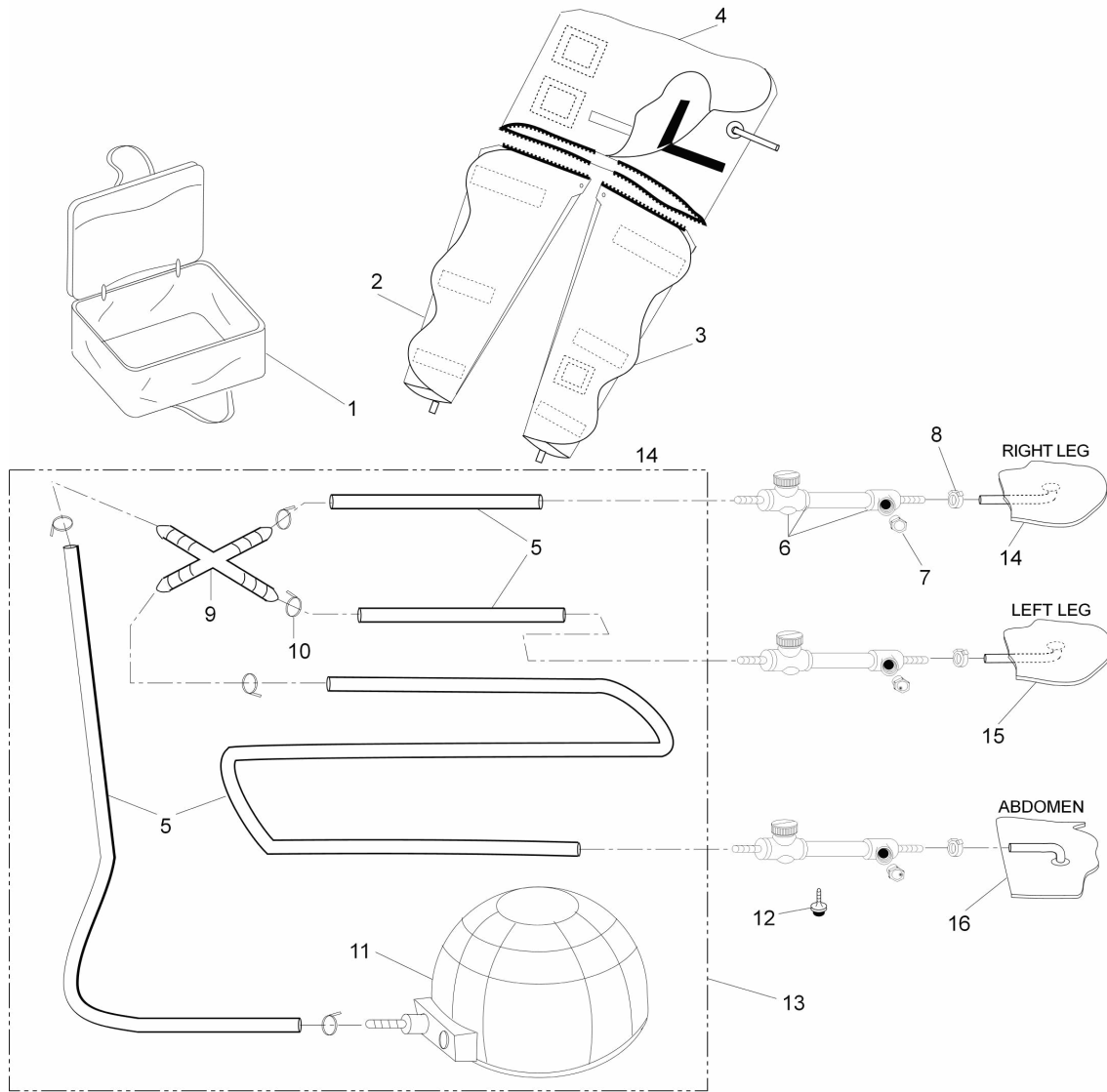


David Clark COMPANY INCORPORATED

360 Franklin Street, Box 15054, Worcester, MA 01615-0054
 TEL.: (508) 751-5800 E-Mail: sales@DavidClark.com FAX: (508) 753-5827

PARTS LIST MAST III-AM



No.	Description	Part No.
1	Carrying Case	14466P-01
2	Right Leg Restraint (Adult)	18801G-01FMOOR
3	Left Leg Restraint (Adult)	18801G-01FMOOL
4	Abdominal Restraint (Adult)	18800G-01FMOOO
5	Neoprene Tubing (5 ft length)	09386P-34
6	Valve Housing Assembly	18193G-01
7	Relief Valve w/Protective Cap	18459G-01
8	Hose Clamp, removable (10/pk)	24786P-08

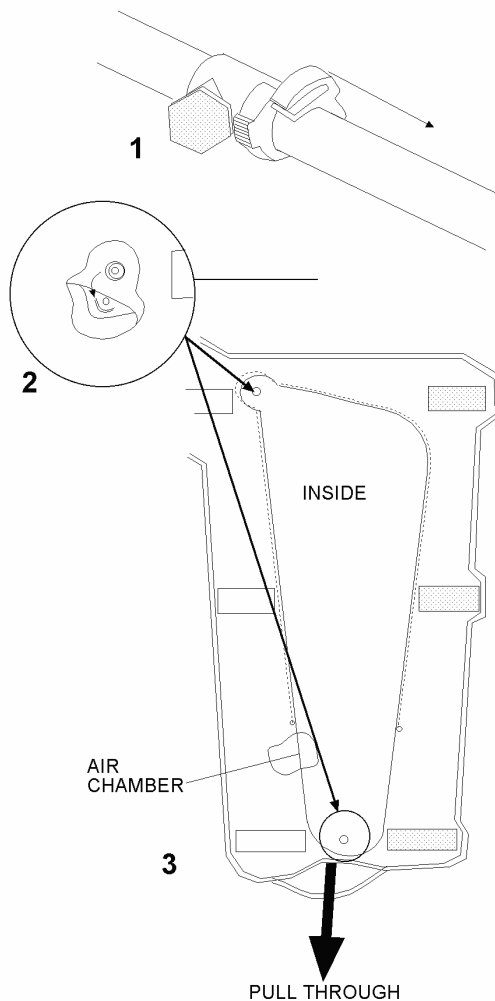
No.	Description	Part No.
9	"X" Fitting	14796P-01
10	Tubing Clamp (10/pk)	24786P-06
11	Foot Pump Assy w/Valves	18192G-01
12	Pressure Gage Adapter Kit (3/pk)	18396G-01
13	Inflation Assy (includes 3,4,5,12)	12696G-05
14	Right Leg Air Chamber (Adult)	18342G-04HAOOR
15	Left Leg Air Chamber (Adult)	18342G-04HAOOL
16	Abdominal Air Chamber (Adult)	18341G-06HAOOO

MAST III-AM

MAST® III-AM Air Chamber Removal and Installation Procedure

To Remove:

1. Remove white clamp holding air chamber hose to valve assembly by twisting jaws in opposite directions. Remove valve assembly. See illustration No. 1.
2. Disconnect air chamber locator snaps: (2) in each leg – (8) in abdomen. See illustration No. 2.
3. Remove air chamber by pulling it through restraint access opening. See illustration No. 3.



To Install:

1. Put air chamber through restraint access opening and align.
2. Put air chamber hose through hole and connect locator snaps.
3. Connect air chamber hose to valve assembly and install white clamp. See illustration No. 4. Keep clamp flush with side of valve assembly.
4. Press jaws firmly together with fingers or pliers. See illustration No. 5.

