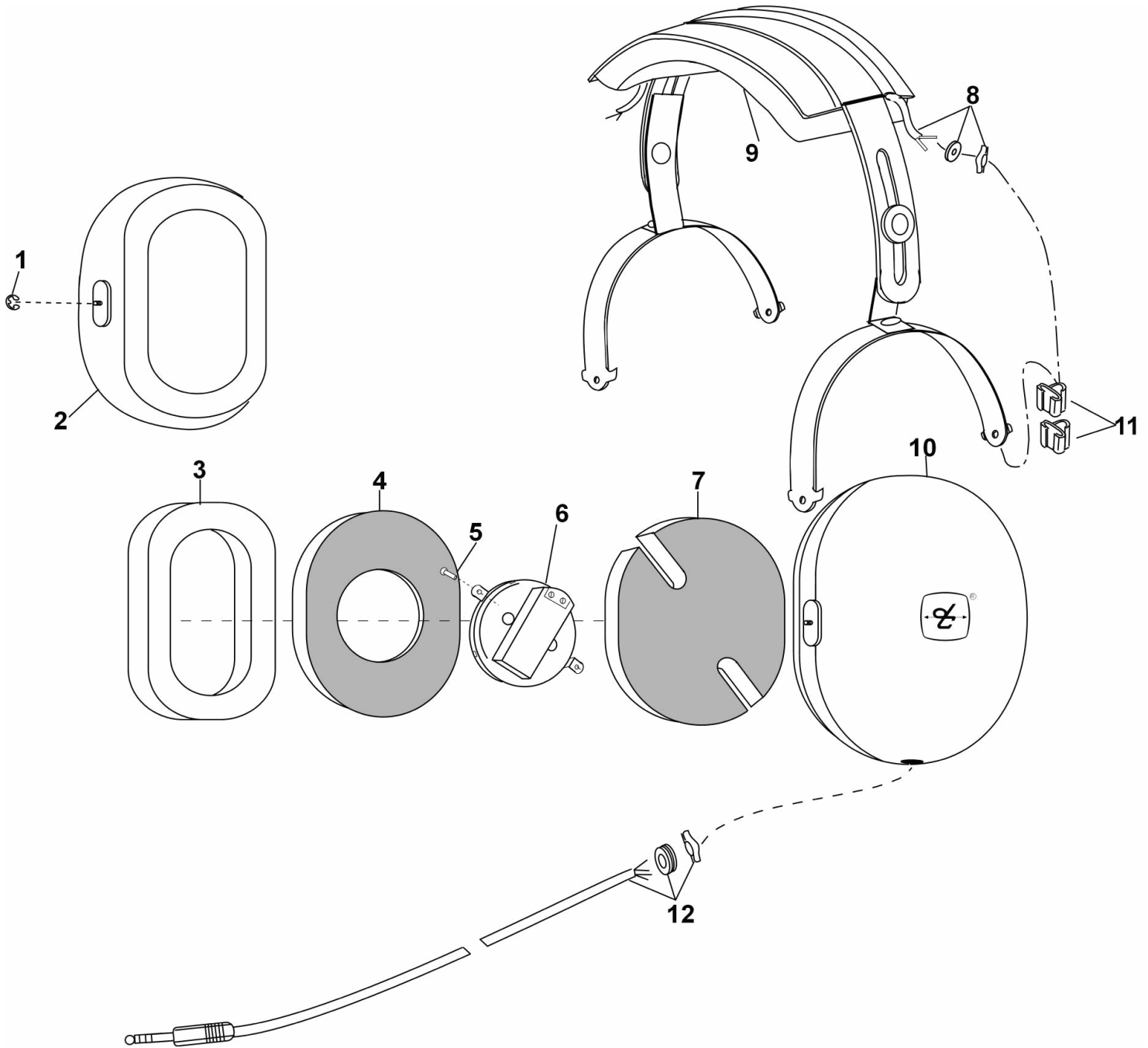


David Clark COMPANY
INCORPORATED

360 Franklin Street, Box 15054, Worcester, MA 01615-0054
TEL.: (508) 751-5800 E-Mail: sales@DavidClark.com FAX: (508) 753-5827

PARTS LIST
MODEL H7051



No.	Description	Part No.
1	Retaining Ring (10/pk)	00009M-03
2	Right Dome	11696P-12
3	Earseal (pair)	18316G-02
4	Filter	25629P-03
5	Screw (10/pk)	13180P-03
6	Earphone Assembly	10376G-23

No.	Description	Part No.
7	Filter	26475P-02
8	Overhead Cord Kit	22607G-01
9	Headband Assembly	12409G-26
10	Dome, Left	11696P-30
11	Clip, Cord (4/pk)	15125P-02
12	Comm Cord Assy Kit	18028G-38

ELECTRICAL SCHEMATIC
MODEL H7051

