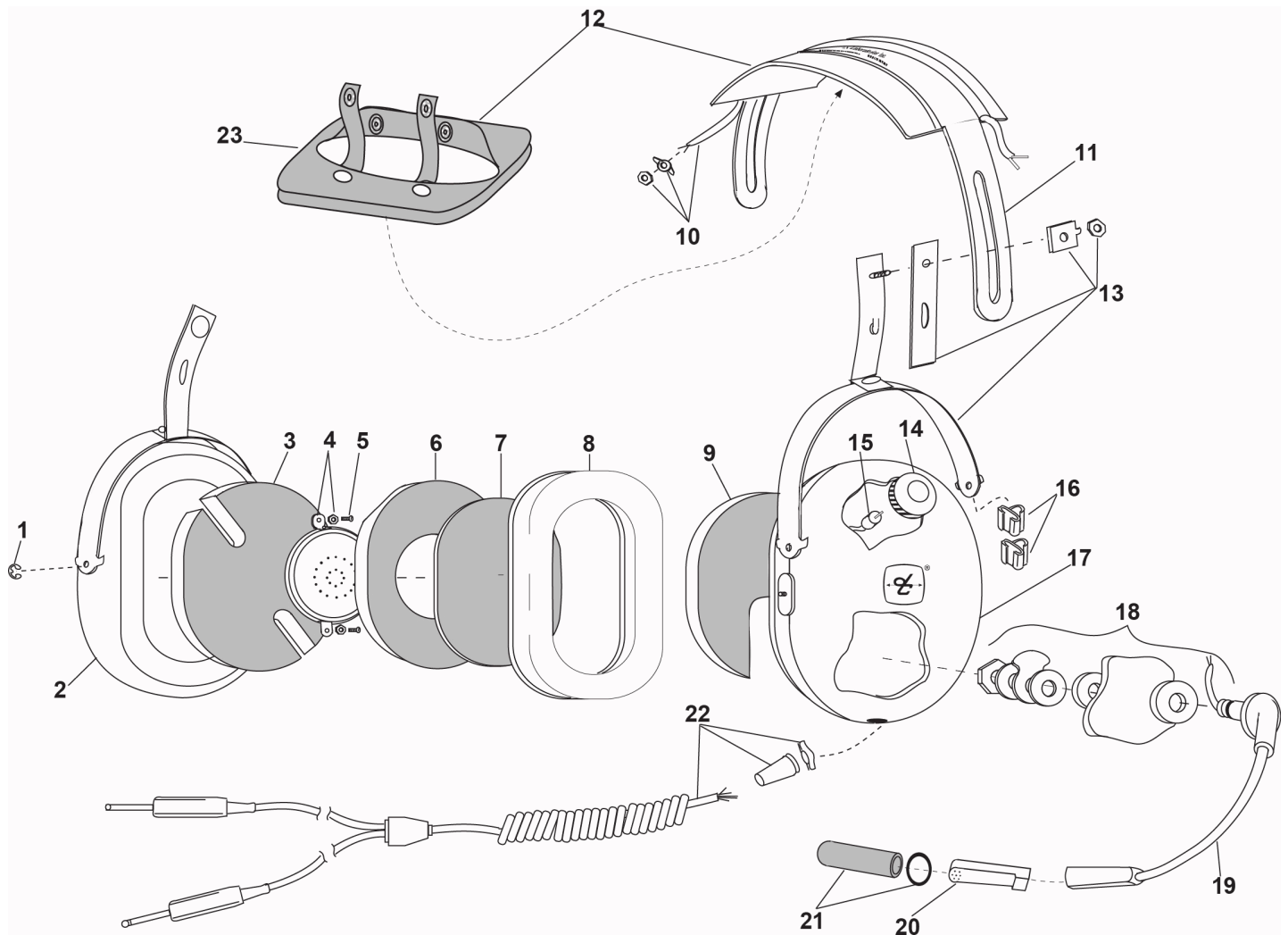


# David Clark COMPANY INCORPORATED

360 Franklin Street, Box 15054, Worcester, MA 01615-0054  
TEL.: (508) 751-5800 E-Mail: sales@DavidClark.com FAX: (508) 753-5827

## PARTS LIST MODEL H10-21



| No. | Description                 | Part No.  |
|-----|-----------------------------|-----------|
| 1   | Retaining Ring (10/pk)      | 00009M-03 |
| 2   | Right Dome                  | 11696P-12 |
| 3   | Filter                      | 26475P-02 |
| 4   | Earphone Assembly           | 10376G-20 |
| 5   | Screw (10/pk)               | 13180P-06 |
| 6   | Filter                      | 25629P-03 |
| 7   | Filter                      | 14096P-09 |
| 8   | Undercut Gel Earseal (pair) | 40863G-02 |
| 9   | Filter                      | 26475P-08 |
| 10  | Overhead Cord Kit           | 22607G-01 |
| 11  | Headband Spring             | 15093P-01 |
| 12  | Headpad Assembly            | 18900G-45 |

| No. | Description             | Part No.  |
|-----|-------------------------|-----------|
| 13  | Stirrup & Clamp Kit     | 22378G-08 |
| 14  | Volume Control Knob     | 15109P-01 |
| 15  | Volume Control          | 09349P-34 |
| 16  | Clip, Cord (4/pk)       | 15125P-02 |
| 17  | Left Dome               | 11696P-40 |
| 18  | Boom Attachment Kit     | 12840G-19 |
| 19  | Flex Boom Assy w/Cord   | 18740G-28 |
| 20  | M-7A Electret Mic       | 09168P-33 |
| 21  | Mic Protector           | 40062G-02 |
| 22  | Comm Cord Kit           | 18028G-56 |
| 23  | Headpad Restraint, Foam | 40266G-01 |

# ELECTRICAL SCHEMATIC MODEL H10-21

