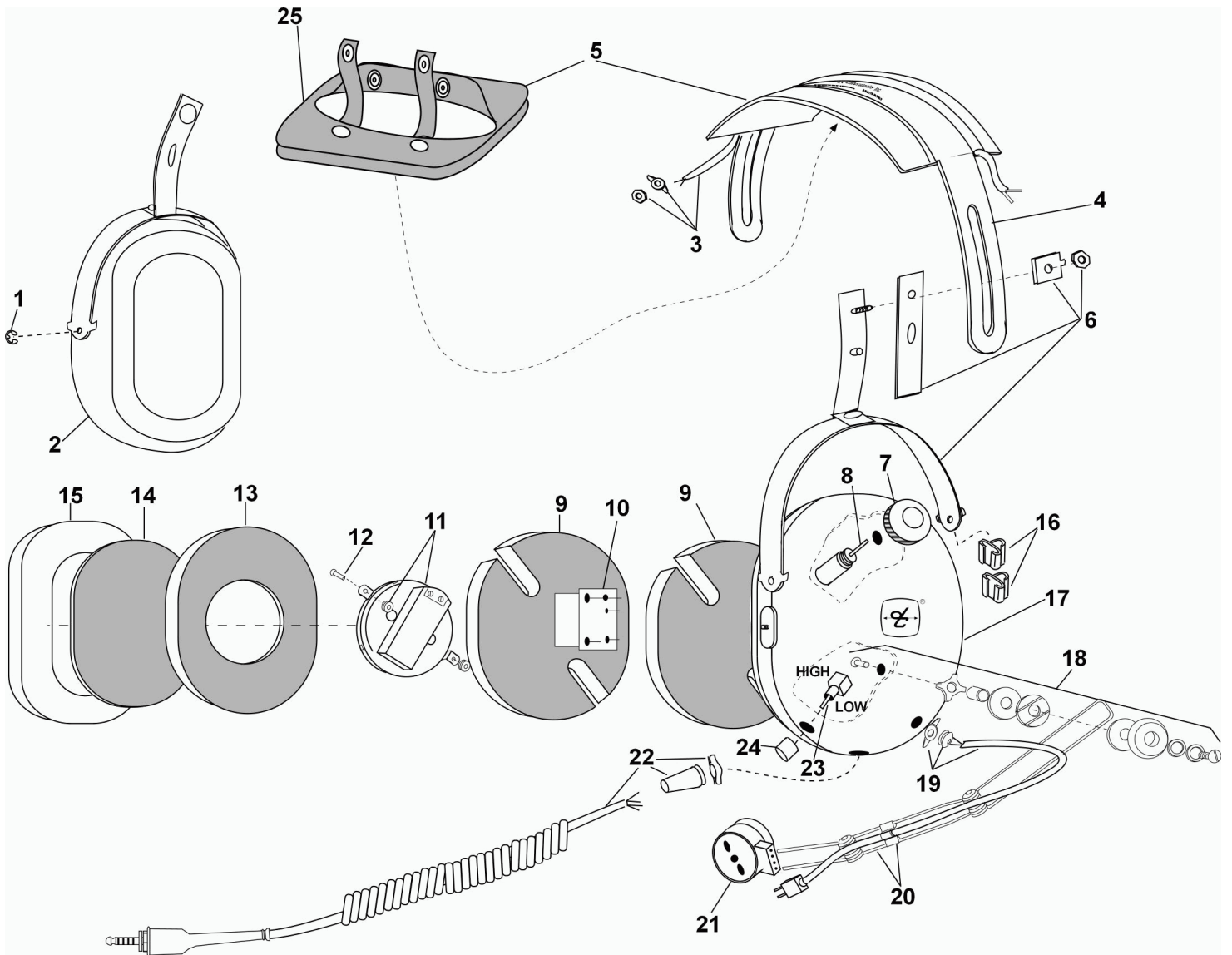


David Clark COMPANY INCORPORATED

360 Franklin Street, Box 15054, Worcester, MA 01615-0054
 TEL.: (508) 751-5800 E-Mail: sales@DavidClark.com FAX: (508) 753-5827

PARTS LIST MODEL H10-66N



No.	Description	Part No.
1	Retaining Ring (10/pk)	00009M-03
2	Dome, Right	11353P-29
3	Overhead Cord Kit	22607G-01
4	Headband Spring	15093P-01
5	Headpad Assembly	18900G-45
6	Stirrup & Clamp Kit	22378G-08
7	Volume Control Knob	15109P-01
8	Volume Control w/PCB	18913G-01
9	Filter	26475P-02
10	Amplifier	18911G-01
11	Earphone Assembly	10376G-20
12	Screw (10/pk)	13180P-06

No.	Description	Part No.
13	Filter	25629P-03
14	Filter	14096P-09
15	Undercut Gel Earseal (pair)	40863G-02
16	Clip, Cord (4/pk)	15125P-02
17	Left Dome	11353P-39
19	Mic Plug Cord Kit	18804G-11
20	Mic Boom Assembly	12762G-04
21	Microphone M-101/AIC	09168P-20
22	Comm Cord Kit	40599G-25
23	Toggle Switch	09494P-22
24	Switch Guard	13148P-01
25	Headpad Restraint, Foam	40266G-01

ELECTRICAL SCHEMATIC MODEL H10-66N

