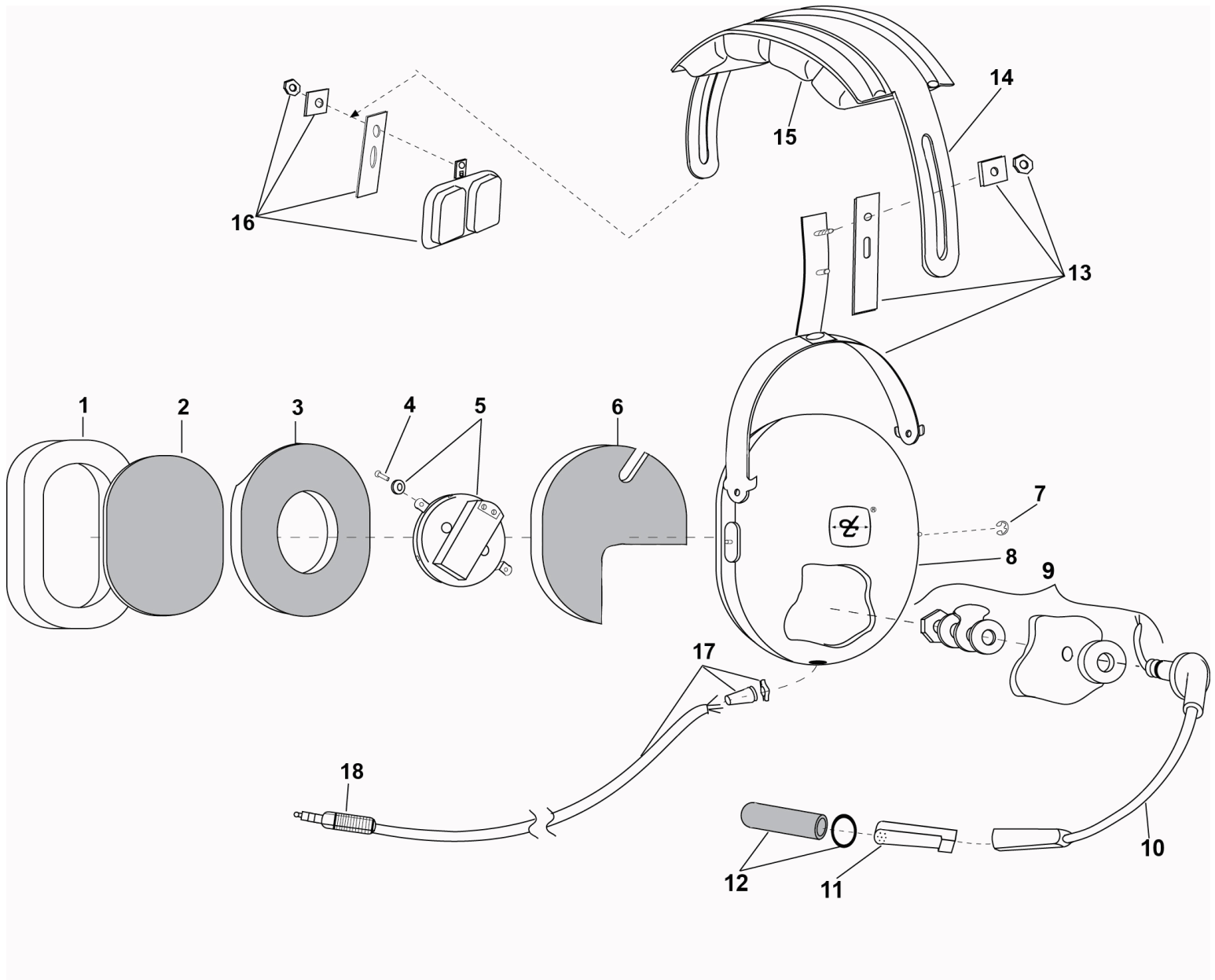


PARTS LIST
MODEL H6090



No.	Description	Part No.
1	Earseal (pair)	18316G-02
2	Filter	14096P-09
3	Filter	25629P-03
4	Screw/Grommet (4/pk)	18900G-47
5	Earphone Assembly	10376G-29
6	Filter	26475P-08
7	Retaining Ring (10/pk)	00009M-03
8	Left Dome	15253P-11
9	Boom Attachment Kit	12840G-19

No.	Description	Part No.
10	Flex Boom Assembly w/ Cord	18740G-28
11	M-77 Electret Mic	09168P-35
12	Mic Protector	40062G-02
13	Stirrup & Clamp Kit	22378G-11
14	Headband Spring	15247P-01
15	Headpad Assy	40075G-02
16	Temple Pad Assy Kit	18900G-37
17	Communication Cord Assy Kit	18028G-80
18	Connector, Electrical	09226P-02

ELECTRICAL SCHEMATIC
MODEL H6090

