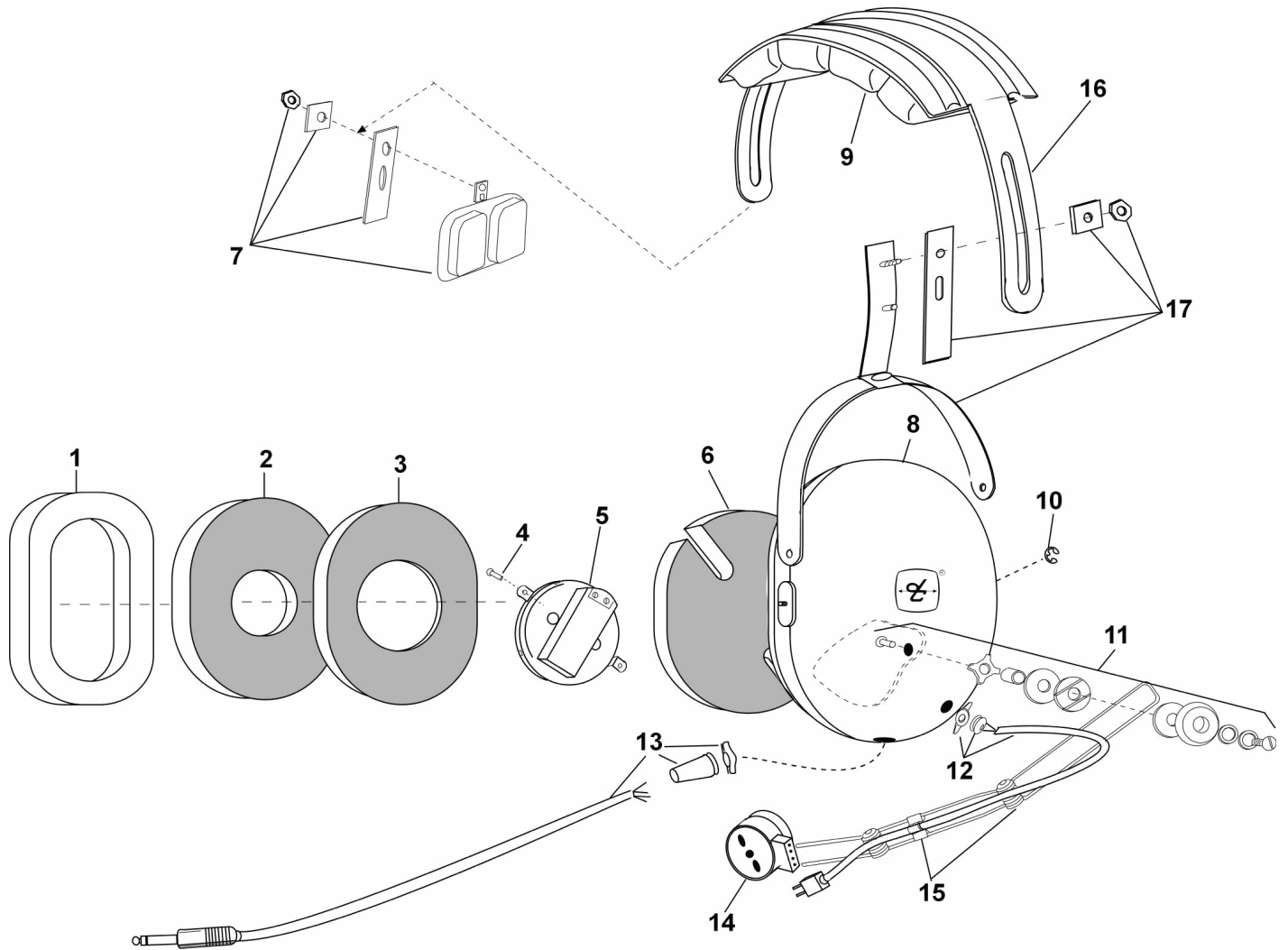


David Clark COMPANY INCORPORATED

360 Franklin Street, Box 15054, Worcester, MA 01615-0054
TEL.: (508) 751-5800 E-Mail: sales@DavidClark.com FAX: (508) 753-5827

PARTS LIST MODEL H7091



No.	Description	Part No.
1	Earseal (pair)	18316G-02
2	Dome Filter	14096P-05
3	Filter	25629P-03
4	Screw (10/pk)	00023M-07
5	Earphone Assembly	10376G-23
6	Filter	26475P-02
7	Temple Pad Assy Kit	18900G-37
8	Dome, Left	15253P-19
9	Headpad Assembly	40075G-02

No.	Description	Part No.
10	Retaining Ring (10/pk)	00009M-03
11	Boom Guide Kit	12840G-01
12	Mic Plug Cord Kit	18804G-11
13	Comm Cord Assy Kit	18028G-18
14	Microphone M-101/AIC	09168P-20
15	Mic Boom Assembly	12762G-04
16	Headband Spring	15247P-01
17	Stirrup Assembly (complete)	22378G-01

ELECTRICAL SCHEMATIC
MODEL H7091

