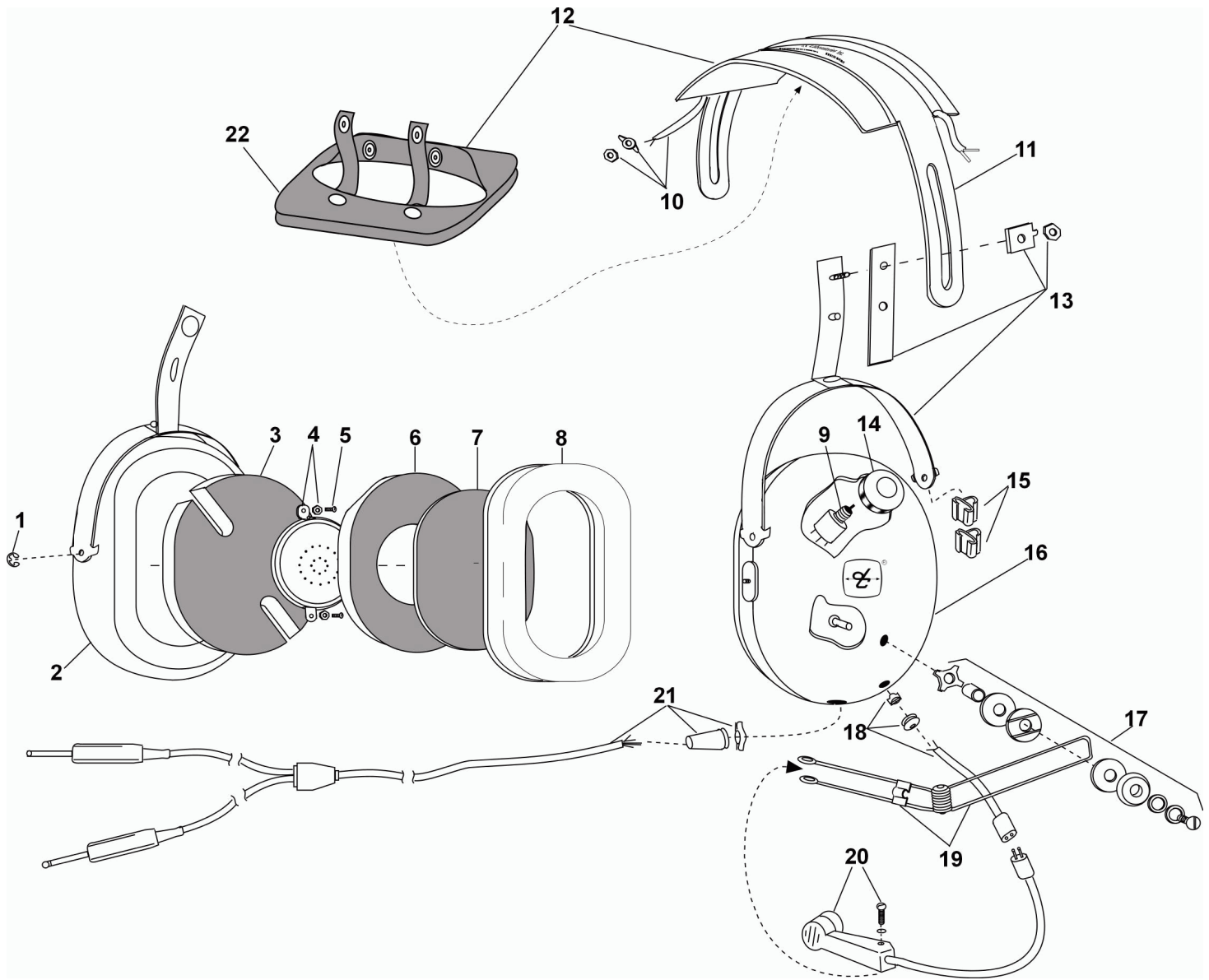


PARTS LIST
MODEL H10-30



No.	Description	Part No.
1	Retaining Ring (10/pk)	00009M-03
2	Right Dome	11696P-12
3	Filter	26475P-02
4	Earphone Assembly	10376G-20
5	Screw (10/pk)	13180P-06
6	Filter	25629P-03
7	Filter	14096P-09
8	Undercut Gel Earseal (pair)	40863G-02
9	Volume Control	09349P-34
10	Overhead Cord Kit	22607G-01
11	Headband Spring	15093P-01

No.	Description	Part No.
12	Headpad Assembly	18900G-45
13	Stirrup & Clamp Kit	22378G-08
14	Volume Control Knob	15109P-01
15	Clip, Cord (4/pk)	15125P-02
16	Left Dome	11696P-28
17	Boom Guide Kit	12840G-01
18	Mic Jack Cord Kit	10405G-05
19	Microphone Boom Assy	12765G-04
20	M-1/DC Microphone	12948G-01
21	Comm Cord Kit	18028G-01
22	Headpad Restraint Foam	40266G-01

ELECTRICAL SCHEMATIC
MODEL H10-30

