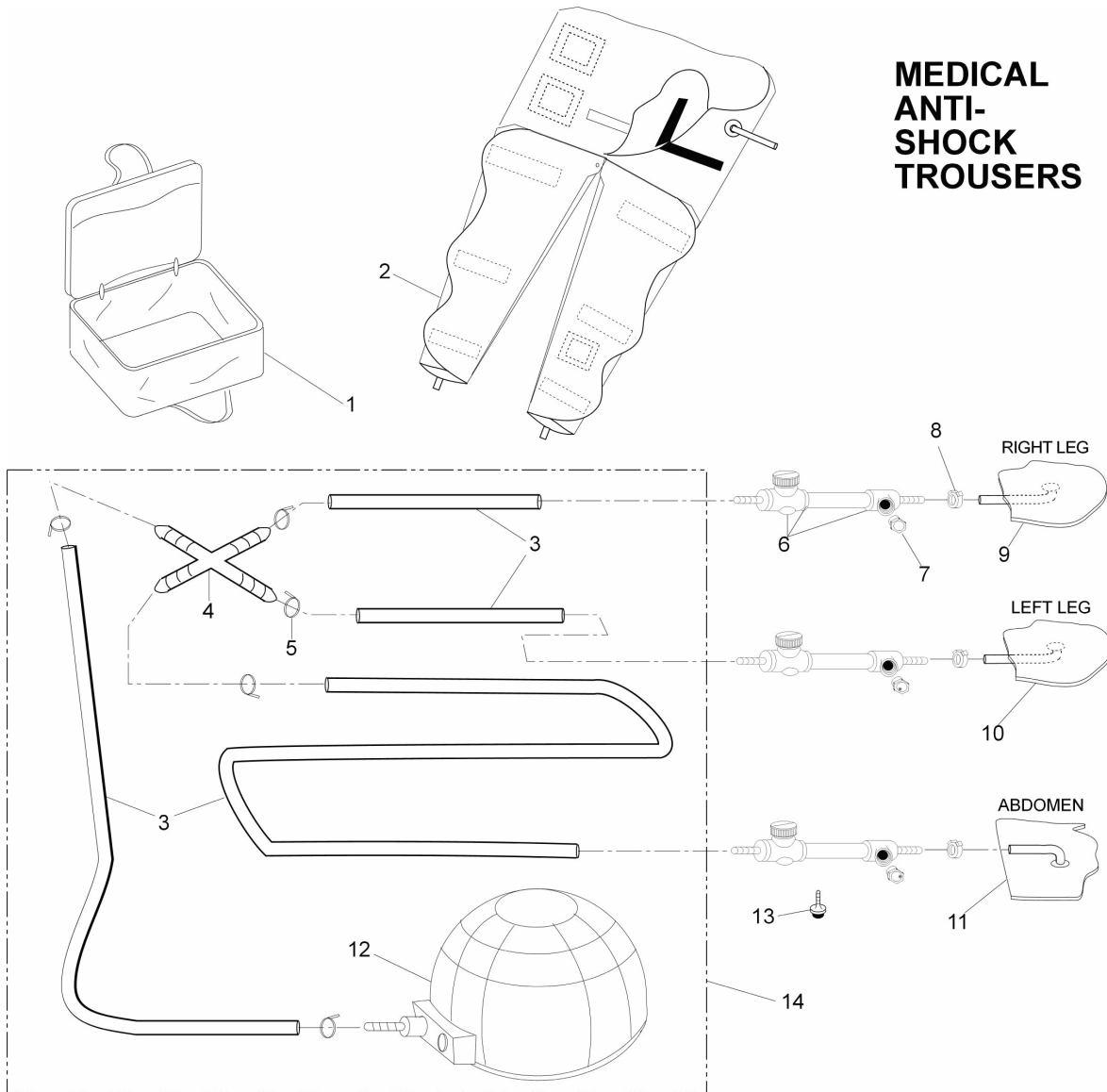


David Clark COMPANY INCORPORATED

360 Franklin Street, Box 15054, Worcester, MA 01615-0054
 TEL.: (508) 751-5800 E-Mail: sales@DavidClark.com FAX: (508) 753-5827

PARTS LIST PEDI III-A

MEDICAL ANTI-SHOCK TROUSERS



No.	Description	Part No.
1	Carrying Case	14466P-01
2	Trouser Restraint Layer	18346G-04FM000
3	Neoprene Tubing (5 ft length)	09386P-34
4	"X" Fitting	14796P-01
5	Tubing Clamp (10/pk)	24786P-06
6	Valve Housing Assembly	18193G-01
7	Relief Valve w/Protective Cap	18459G-01

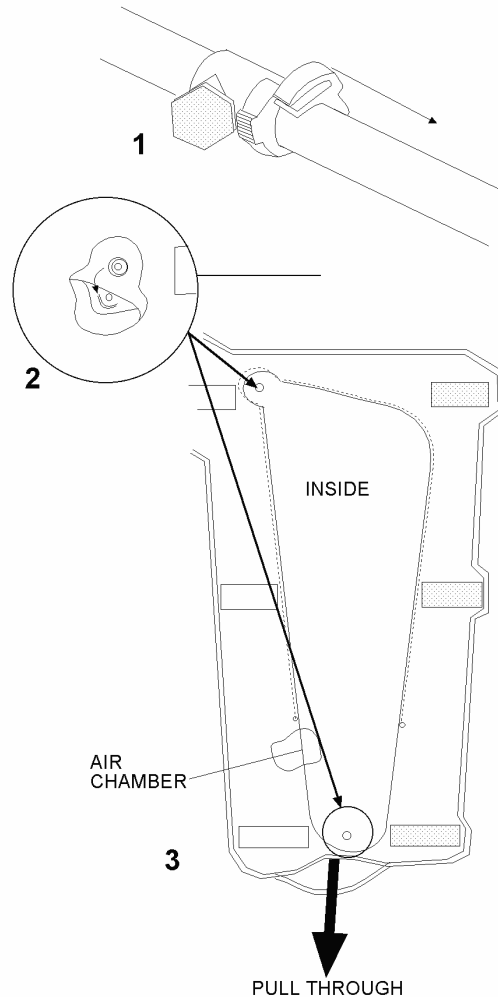
No.	Description	Part No.
8	Hose Clamp, removable (10/pk)	24786P-08
9	Air Chamber, Right Leg	18342G-05HA00R
10	Air Chamber, Left Leg	18342G-05HA00L
11	Air Chamber, Abdominal	18341G-07HA000
12	Foot Pump Assy w/Valves	18192G-01
13	Pressure Gage Adapter Kit(3/pk)	18389G-01
14	Inflation Assy (includes 3,4,5,12)	12696G-05

PEDI III-A

PEDI MAST III-A Air Chamber Removal and Installation Procedure

To Remove:

1. Remove white clamp holding air chamber hose to valve assembly by twisting jaws in opposite directions. Remove valve assembly. See illustration No. 1.
2. Disconnect air chamber locator snaps: (2) in each leg – (8) in abdomen. See illustration No. 2.
3. Remove air chamber by pulling it through restraint access opening. See illustration No. 3.



To Install:

1. Put air chamber through restraint access opening and align.
2. Put air chamber hose through hole and connect locator snaps.
3. Connect air chamber hose to valve assembly and install white clamp. See illustration No. 4. Keep clamp flush with side of valve assembly.
4. Press jaws firmly together with fingers or pliers. See illustration No. 5.

