

SERIES 3800

AIRCRAFT DEICER COMMUNICATION SYSTEM



**U3800
MASTER STATION**



**U3801
REMOTE STATION**



**H3392
HEADSET SINGLE EAR**



**H3332
HEADSET DUAL EAR**

Series 3800 System is designed to solve the specific problem of communication during aircraft deicing, anti-icing and maintenance operations. It is engineered and tested in coordination with major airline ground equipment engineering personnel... a rugged and reliable solution for this special application.

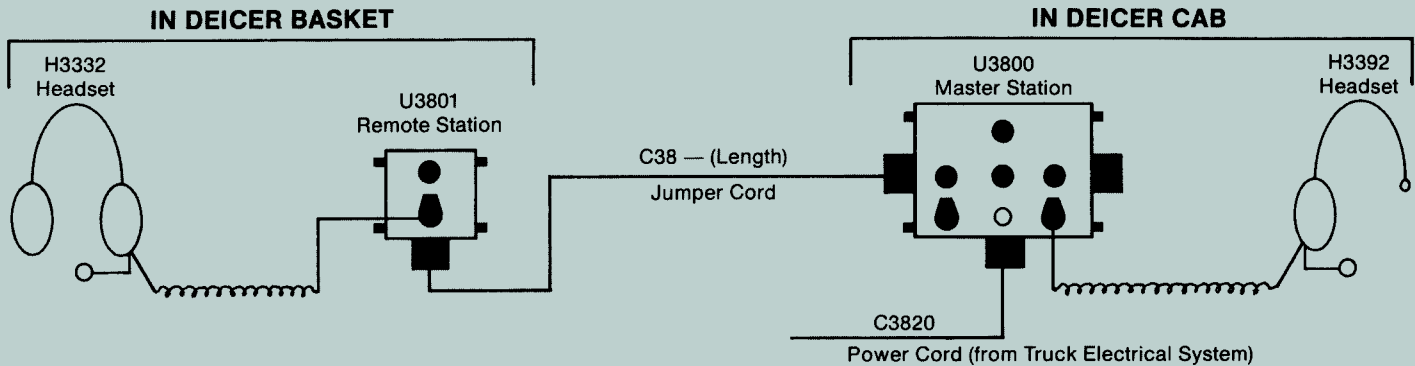
- **COST EFFECTIVE** – Improved communication between deicer cab and basket will result in more productive application of costly deicing fluids, and help prevent accidental aircraft damage.
- **MODULAR DESIGN** – Serviceable, and eliminates costly downtime on installation or module replacement.
- **“NOISE” SOLUTION** – Entire system – Headsets, Microphones and Modules – is engineered to solve the problem of noise associated with deicing/anti-icing operations. System electronics effectively filter engine and electrical interference.
- **WEATHER TIGHT** – All system components designed for use in severe weather.



360 Franklin Street, Box 15054, Worcester, MA 01615-0054 U.S.A.
(508) 751-5800 E-Mail: sales@davidclark.com FAX: (508) 753-5827
Visit our website at www.davidclark.com



SERIES 3800 SYSTEM DIAGRAM



U3800 MASTER STATION

The "heart" of the system. Adjusts automatically for 12 VDC or 24 VDC power source in truck electrical system. Rugged heavy gauge polycarbonate (-80°F. to +212°F.) housing with all controls, connectors and covers sealed weather-tight.

Housing size (Approx.): 6 1/4"L x 4 3/4"W x 3 1/2"D

Overall size: 8 7/16"L x 5 13/16"W x 4 1/2"D

(Includes connectors, knobs and mounting brackets)

Weight (Approx.): 29 Oz.

Max. current draw: Less than 300 milli/amps

U3801 REMOTE HEADSET STATION

Expands the system beyond the Master Station.

Receives power from U3800 via C38 - Jumper Cord.

Same housing and weather-tight design as Master Station.

Housing size (Approx.): 3 1/4"L x 3 1/4"W x 2 1/4"D

Overall size: 4 1/4"L x 4 1/4"W x 3 1/16"D

(Includes connectors, knobs and mounting brackets)

Weight (Approx.): 10 Oz.

H3332 HEADSET - Dual Ear

Provides maximum noise attenuation for hearing protection, and clear, isolated reception. M-1/DC Noise Canceling Microphone provides clear transmission at normal voice levels. Microphone On/Off switch allows hands free communication. Five foot (extended) coil cord with weather protected PJ051 Plug. **NRR: 24dB**

H3392 HEADSET - Single Ear

Single ear version of H3332 Headset.

C3820 POWER CORD

Two conductors shielded. Twenty feet. Connects U3800 to power source. One end stripped and tinned for connection to truck battery or fuse rack.

C38-25, -50, -75, -100 JUMPER CORDS

(Number after dash indicates length/feet) Four conductor shielded with MS Screw On (pin) connectors. Connects U3800 to U3801.



DISTRIBUTED BY:



360 Franklin Street, Box 15054, Worcester, MA 01615-0054 U.S.A.
 (508) 751-5800 E-Mail: sales@davidclark.com FAX: (508) 753-5827
 Visit our website at www.davidclark.com

19504P-65 (06-04)

© 2004 David Clark Company Incorporated