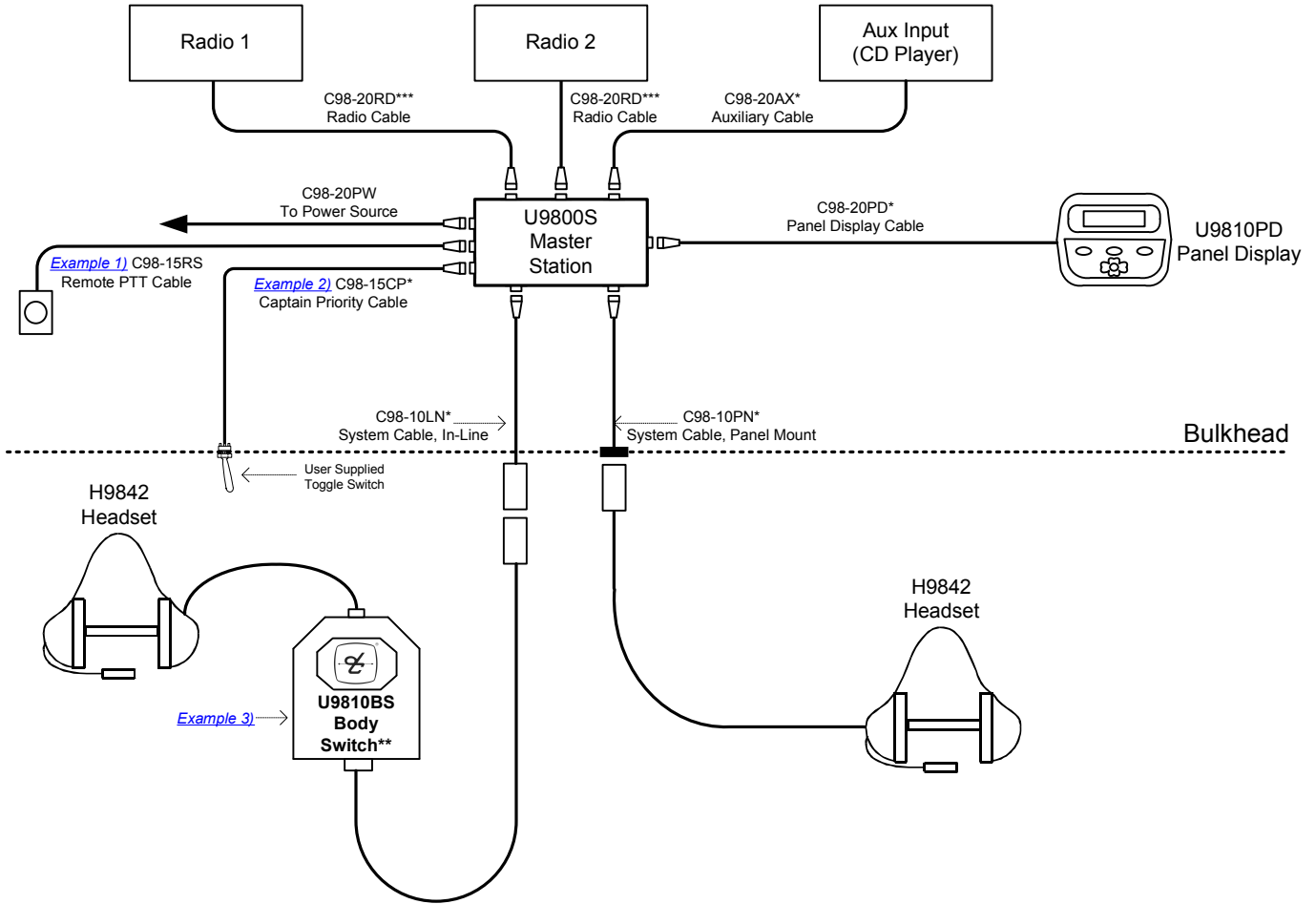




Series 9800 Marine Intercom

Sample System Configuration - 2 Position



† **For Radio Transmit**, choose from the examples illustrated above; **1)** C98-15RS Remote PTT Cable; **2)** C98-15CP/C98-30CP Captain Priority Cable (wired to user supplied toggle switch installed on bulkhead); or **3)** U9810BS/U9811BS Body Switch

*System Cable, Panel Display Cable, Captain Priority Cable and Auxiliary Cable lengths are for illustration only; different lengths may be required. System Cables available in either in-line (-LN) or panel-mount (-PN) configuration. Number after dash indicates length in feet.

**Alternate Body Switch U9811BS provides cell phone or portable radio interface for individual crew member connection (in conjunction with C9801CL or C9803CL cell phone cords), in addition to radio transmit functionality.

***C98-20RD is a universal radio cable. Direct interface radio cables are available for some models. Please contact factory for details. If adapting to a Motorola Syntor X9000, Spectra, Maratrac w/A7 heads or XTL series (except with -05 heads), add part numbers 40107G-01 and 09227P-81 (one each, per radio).

Additional Accessory:



40688G-08 Headset Carry Case