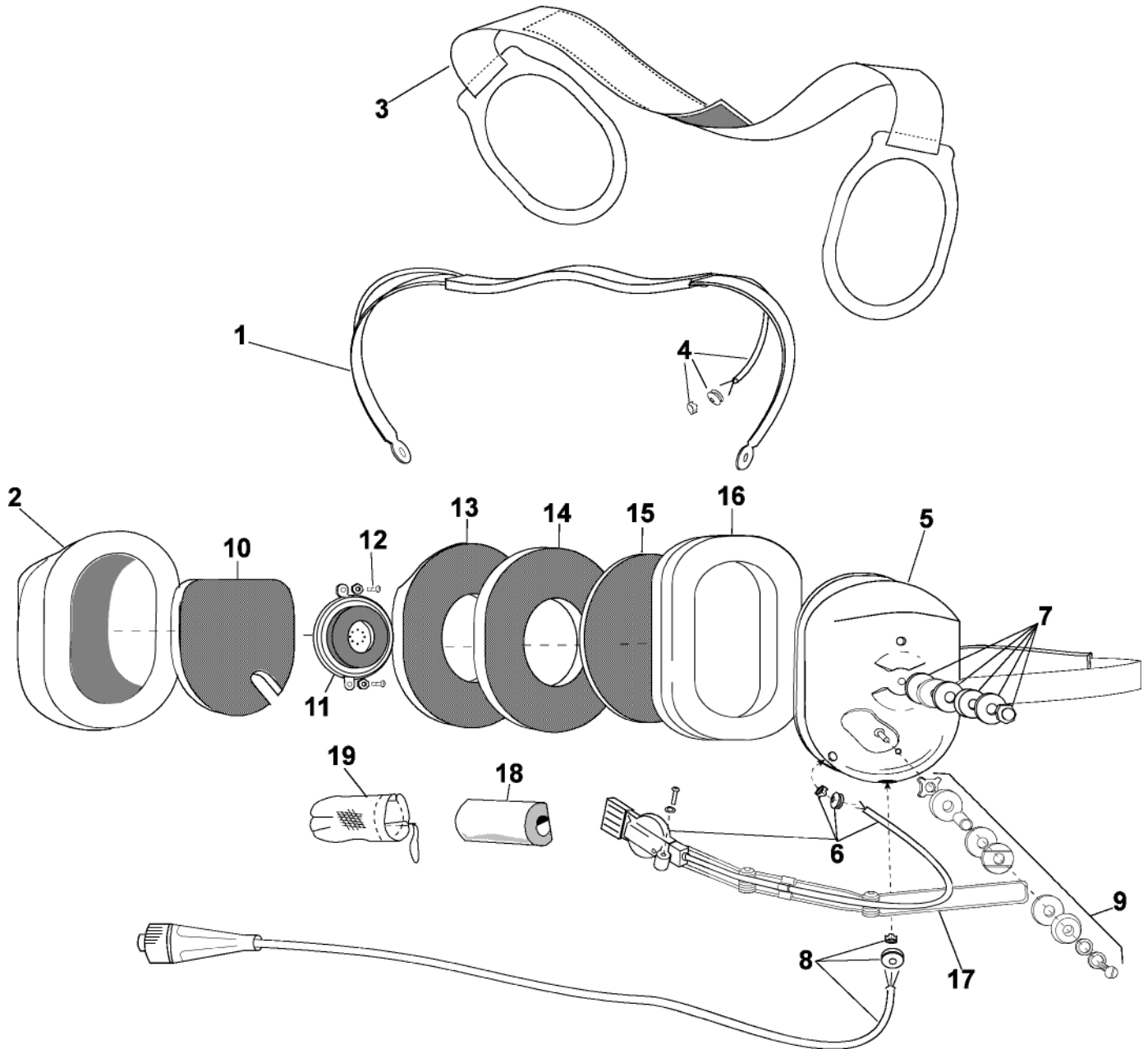


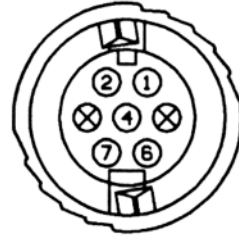
**PARTS LIST
 MODEL H9540**



No.	Description	Part No.
1	Spring Assembly	40623G-31
2	Dome, Right	15522P-24
3	Support Assembly	10370G-03
4	Overhead Cord Assembly	22607G-01
5	Dome, Left (Mic Side)	15522P-25
6	Mic, M87 IMM. PRF. w/Cord	40910G-01
7	Nut & Washer Kit (10/pk)	12052G-03
8	Comm Cord Assy Kit	40599G-50
9	Boom Guide Kit	12840G-16
10	Dome Filter	11410P-02

No.	Description	Part No.
11	Earphone Assembly	10376G-47
12	Screw (10/pk)	00023M-07
13	Dome Filter	25629P-05
14	Dome Filter	14096P-05
15	Filter	14096P-09
16	Flo-Fit Gel Earseals (pair)	40243G-02
17	Microphone Boom Assy	12765G-08
18	Screen, Wind, Mic	14863P-01
19	Cover, Windscreen Mic	18792G-01

ELECTRICAL SCHEMATIC
MODEL H9540



FRONT VIEW

