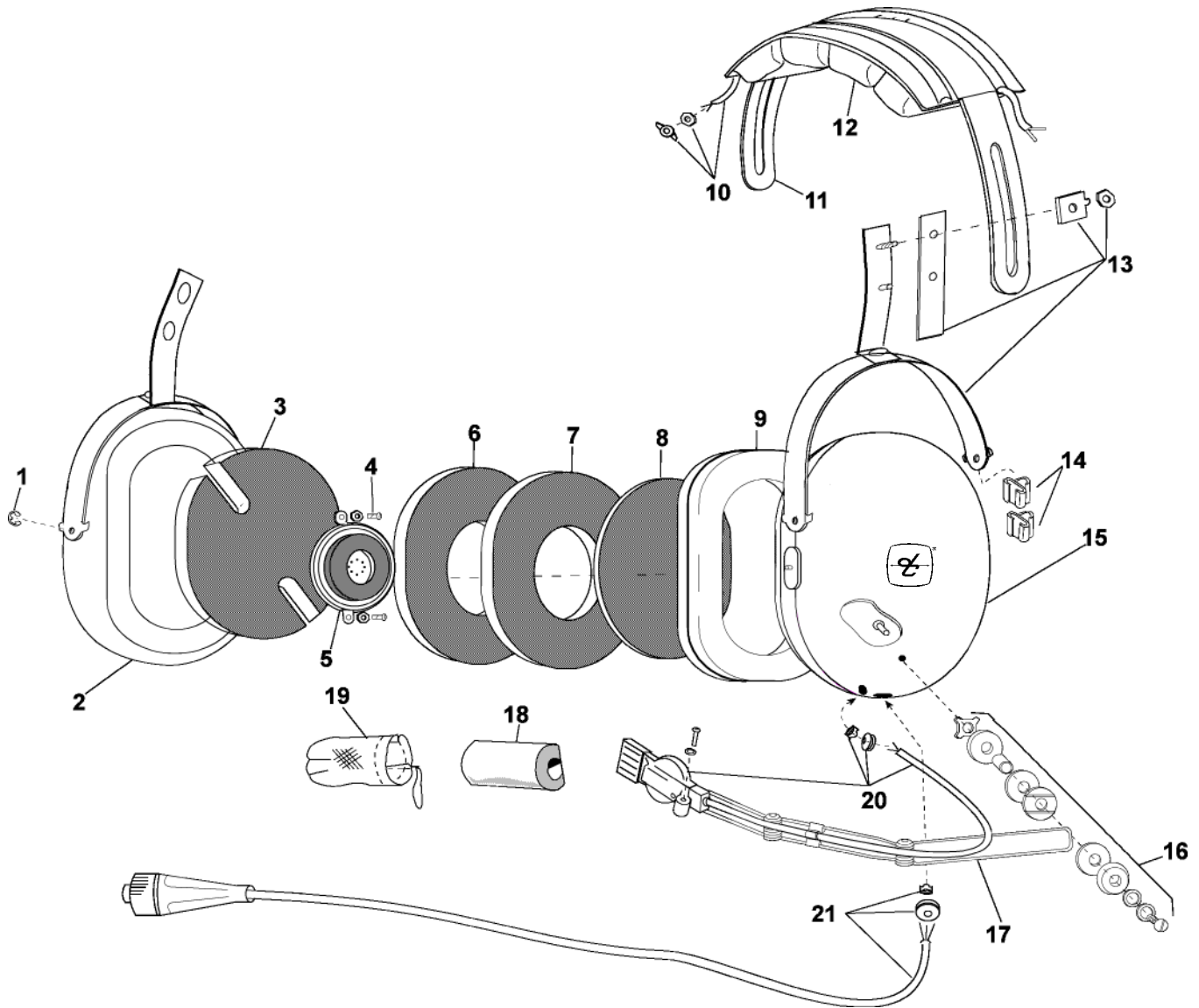


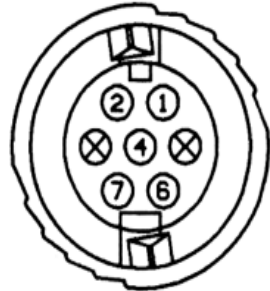
**PARTS LIST
 MODEL H9530**



No.	Description	Part No.
1	Retaining Ring (10/pk)	09464G-10
2	Dome, Right	15253P-47
3	Dome Filter	26475P-02
4	Screw (10/pk)	00023M-08
5	Earphone Assembly	10376G-47
6	Dome Filter	25629P-03
7	Dome Filter	14096P-05
8	Filter	14096P-09
9	Flo-Fit Gel Earseals (pair)	40243G-02
10	Overhead Cord Kit	22607G-01
11	Headband Spring	15671P-01

No.	Description	Part No.
12	Headpad Assy	40075G-02
13	Stirrup & Clamp Kit	22378G-17
14	Clip, Cord (4/pk)	15350P-02
15	Dome, Left	15253P-41
16	Boom Guide Kit	12840G-16
17	Microphone Boom Assy	12765G-08
18	Screen, Wind, Mic	14863P-01
19	Cover, Windscreen Mic	18792G-01
20	Mic, M87 IMM. PRF. w/Cord	40910G-01
21	Comm Cord Assy Kit	40599G-50

ELECTRICAL SCHEMATIC
MODEL H9530



FRONT VIEW

